



Smart Granola Kiosk

Gustavo Torres, Jiuzhang Peng, Wenjie Kuang
San Diego State University



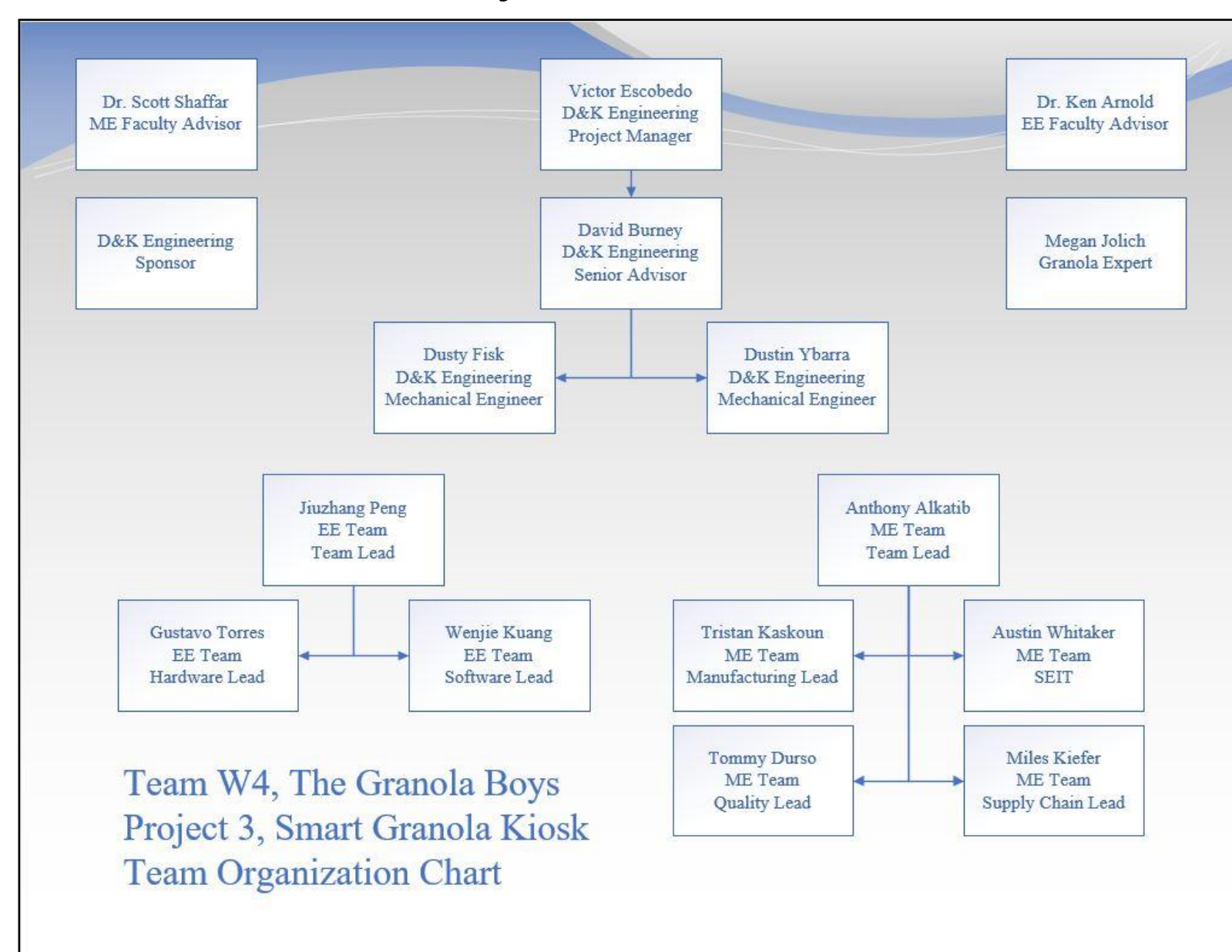
Meet the Team



Gustavo Torres
Software Lead

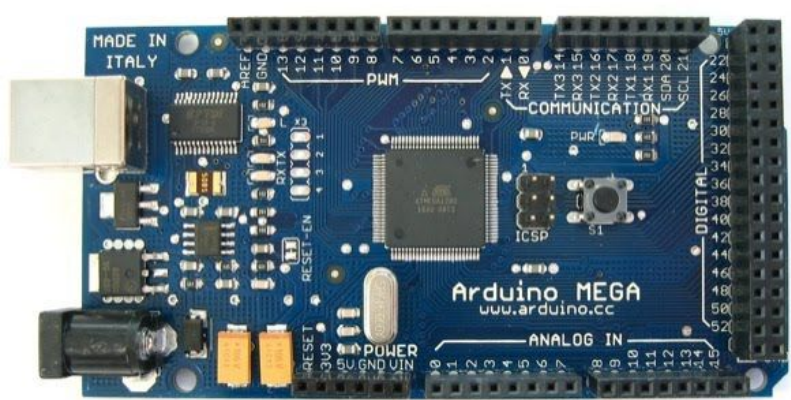
Jiuzhang Peng
System Lead

Wenjie Kuang
Team Lead

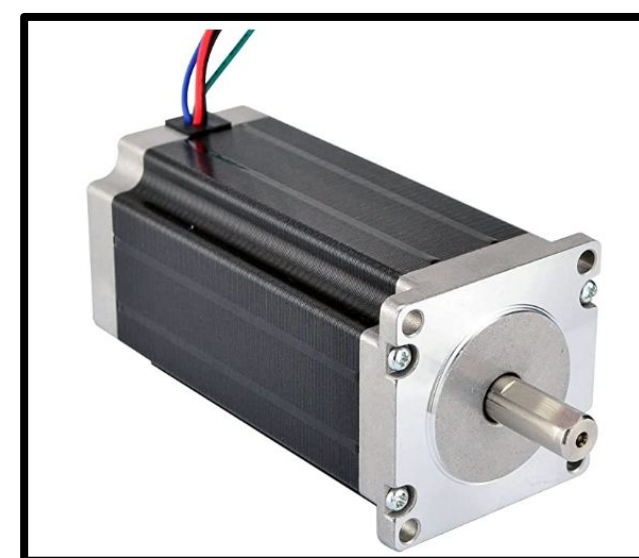


Electrical Components

Arduino MEGA



Stepper Motor



Ultrasonic Sensor



Interface



Project Overview

D&K Engineering is looking to expand their product line of smart machines and kiosks with the addition of a smart granola kiosk. A granola mixing and dispensing kiosk would allow them to expand into this emerging market and keep their business thriving. This kiosk will enable a customer to create their own mixture of granola from a base granola and a selection of up to four different toppings. The goal for this kiosk is for it to ultimately be used in a grocery store much like Whole Foods.

Project Requirements

The three required subsystems which would ultimately make up the entire kiosk were:

1. Storage Sensors Subsystem
2. Dispensing/Measuring Motor Subsystem
3. Mixing Motor Subsystem

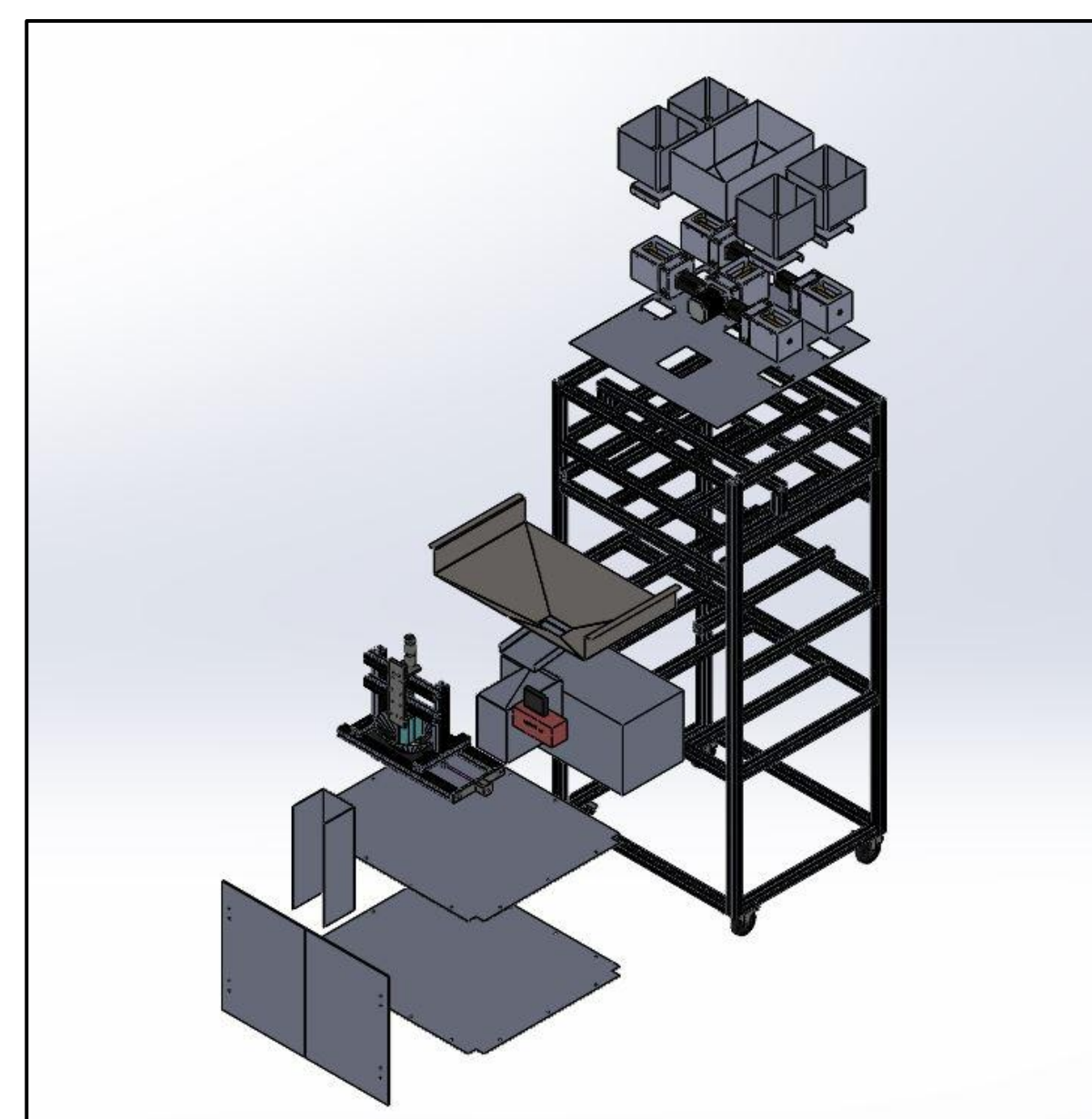
These subsystems needed to meet the following requirements:

- Dispenses granola in a reasonable amount of time
- Arduino as the main microcontroller
- Storage ultrasonic sensor for volume measurements
- Interface software for interaction with customer
- Consistent motor rotation for dispensing
- Runs on a common 120V outlet
- Correct amount dispensed over a period of time

Kiosk Specifications

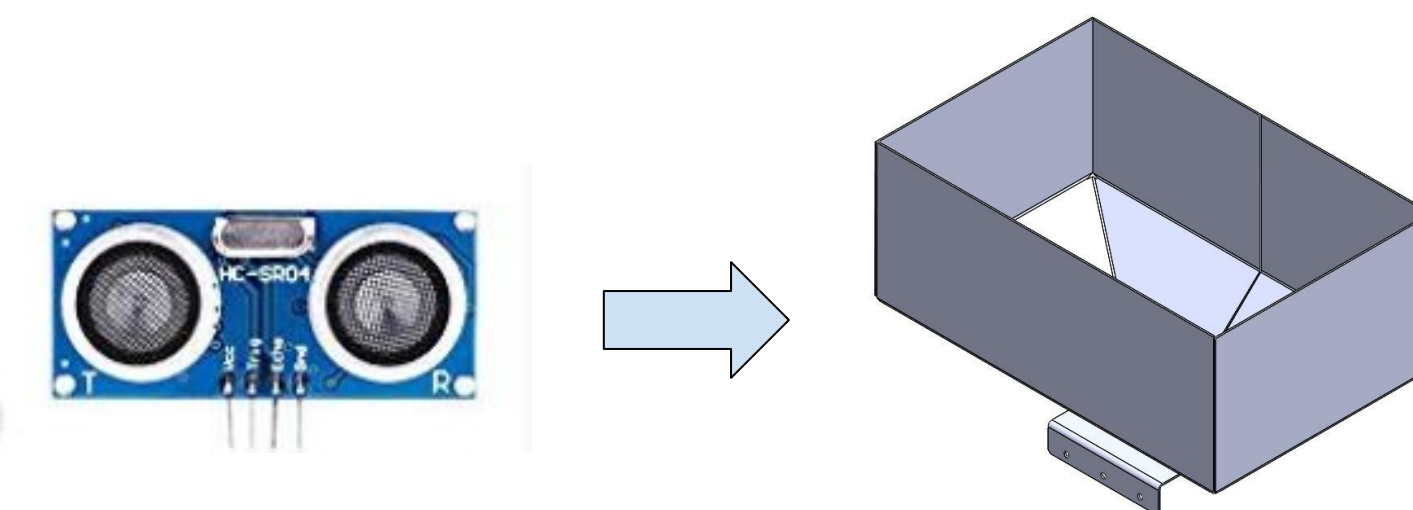
- Height = 79 inches on wheels
- Weight = roughly 1000 lbs.
- Max Amperage = 5A
- Operating Voltage = 120V

Final Design

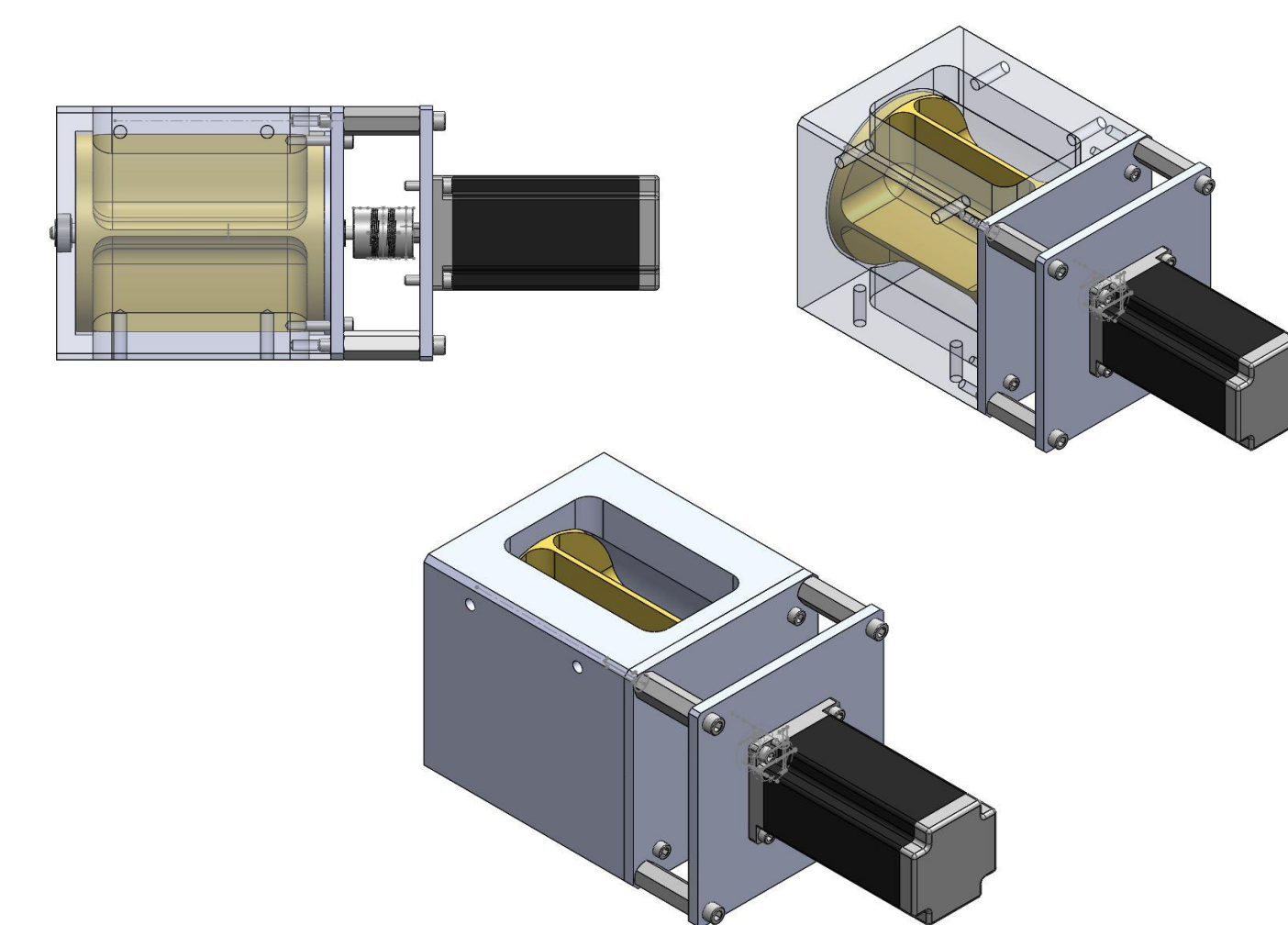


Design Breakdown

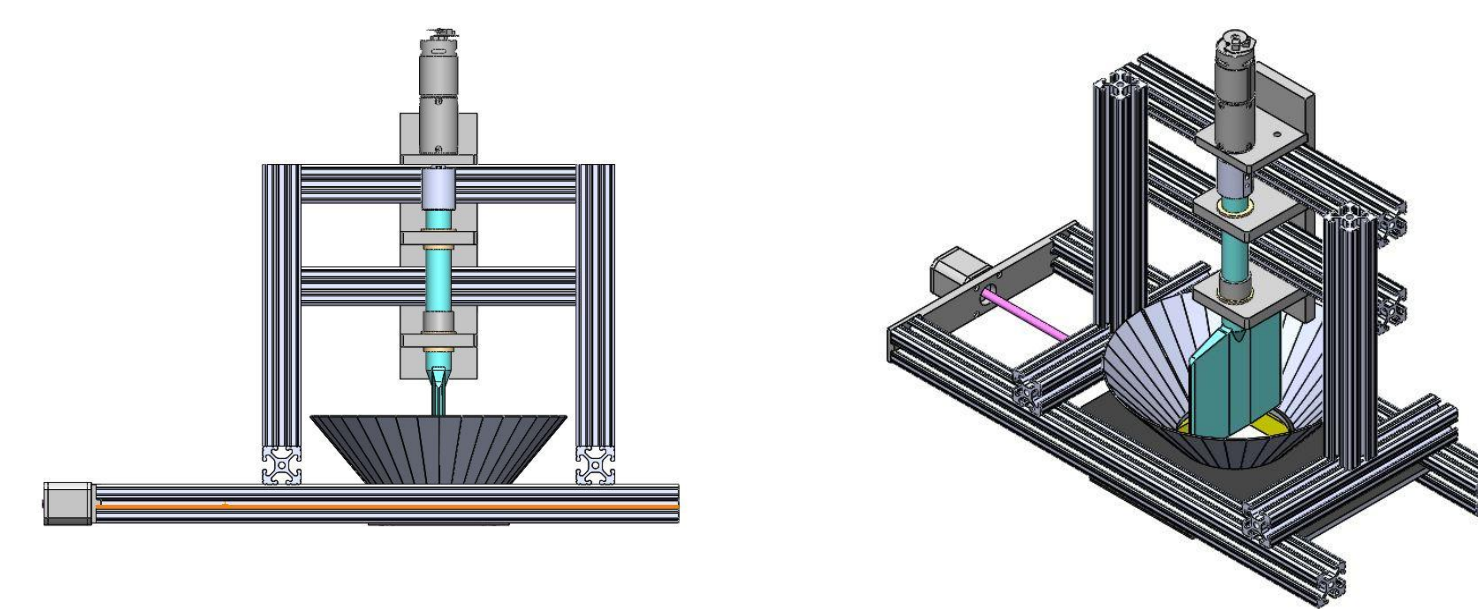
Storage Sensors Subsystem



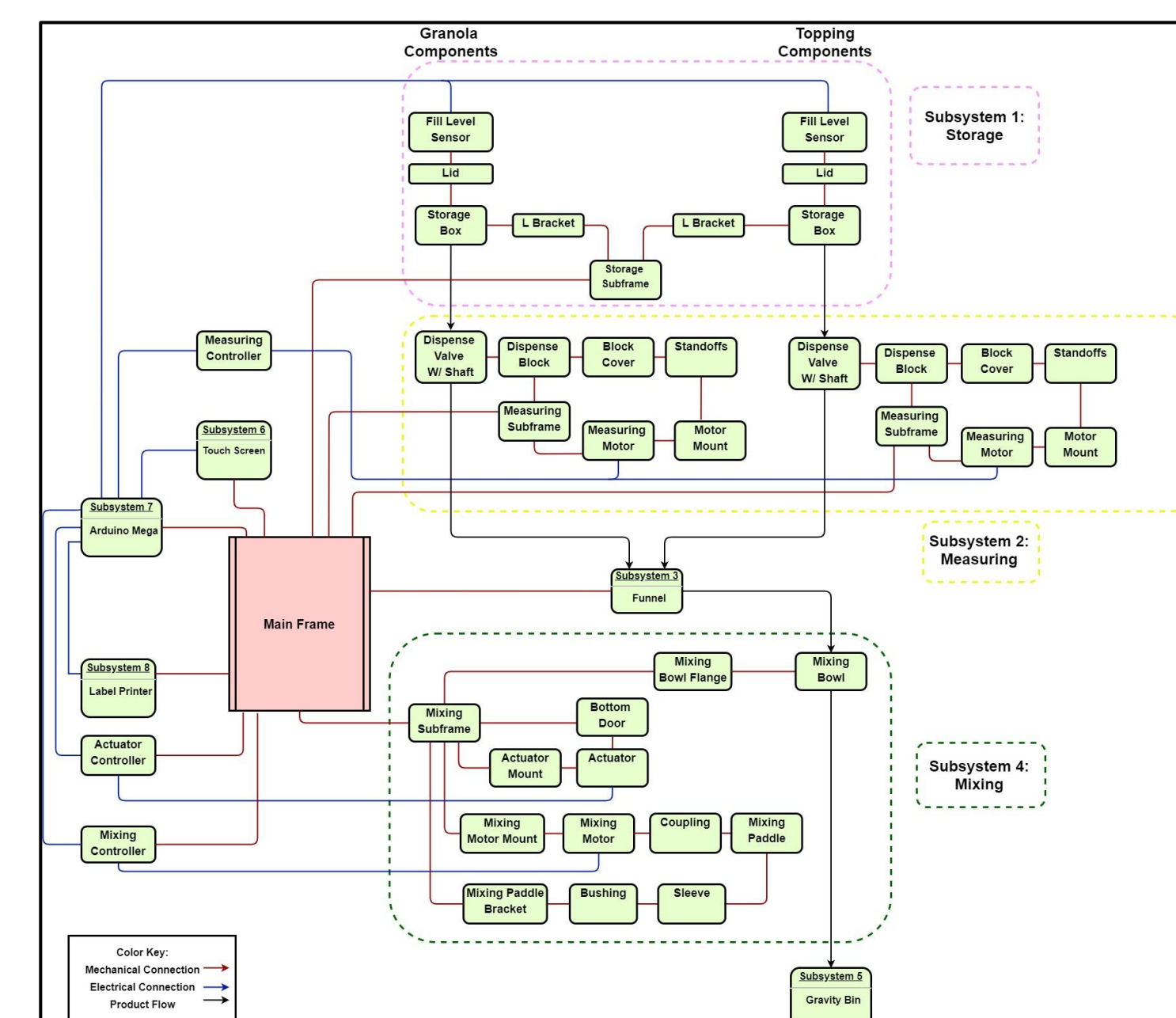
Dispensing/Measuring Motor Subsystem



Mixing Motor Subsystem



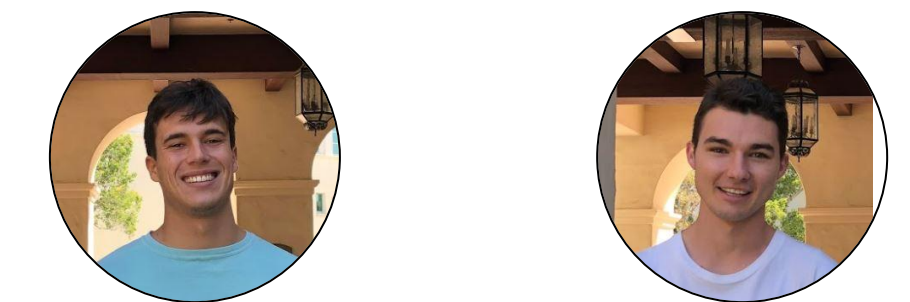
System Level Diagram



Mechanical Engineering



Anthony Alkatib Thomas Durso Austin Whitaker



Tristan Kaskoun Miles Kiefer

The Smart Granola Kiosk project was a joint effort with the help of a senior mechanical engineering team here at San Diego State University.

The ME team helped with the design and analysis of the dispensing/measuring subsystem, as well as the mixing subsystem. They provided the EE team with critical help concerning the motor selection, the programming and coding of the motor controllers, and the power supply of the system.

Meet the Sponsor



The sponsor for the Smart Granola Kiosk was D&K Engineering. D&K Engineering is a company that specializes in smart kiosks. With their headquarters located in Rancho Bernardo, D&K Engineering was just a short drive away from campus. This allowed the team to frequently meet with them in order to communicate efficiently and effectively.

D&K provided the team with 100% of the funding for this project, as well as a tour of their facilities, engineering advising, and material procurement support.