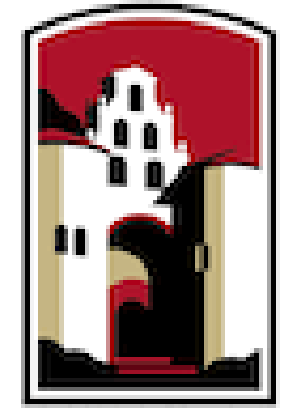


# My Desk Bench

Sponsor: HiTechEdventures

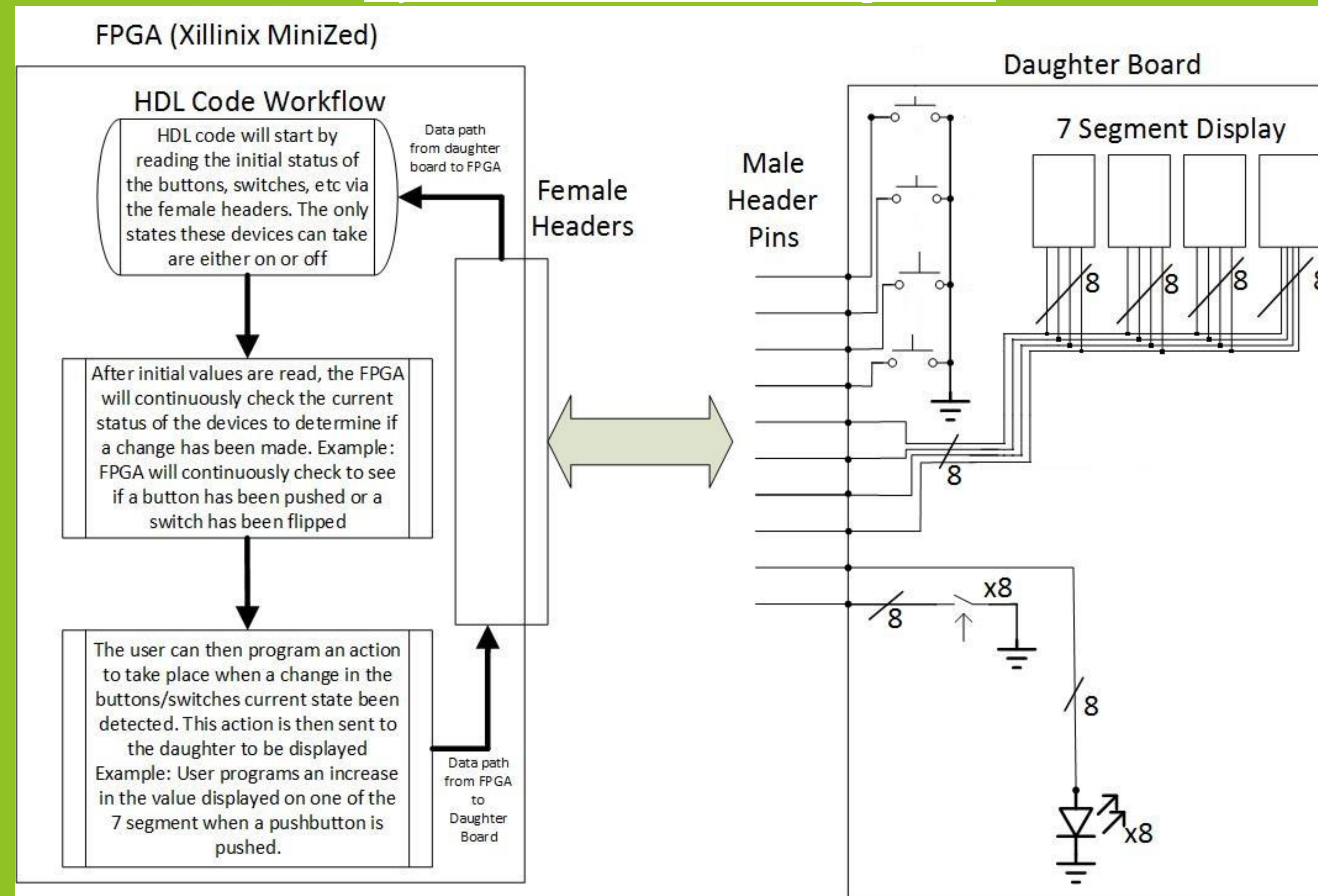


SAN DIEGO STATE UNIVERSITY

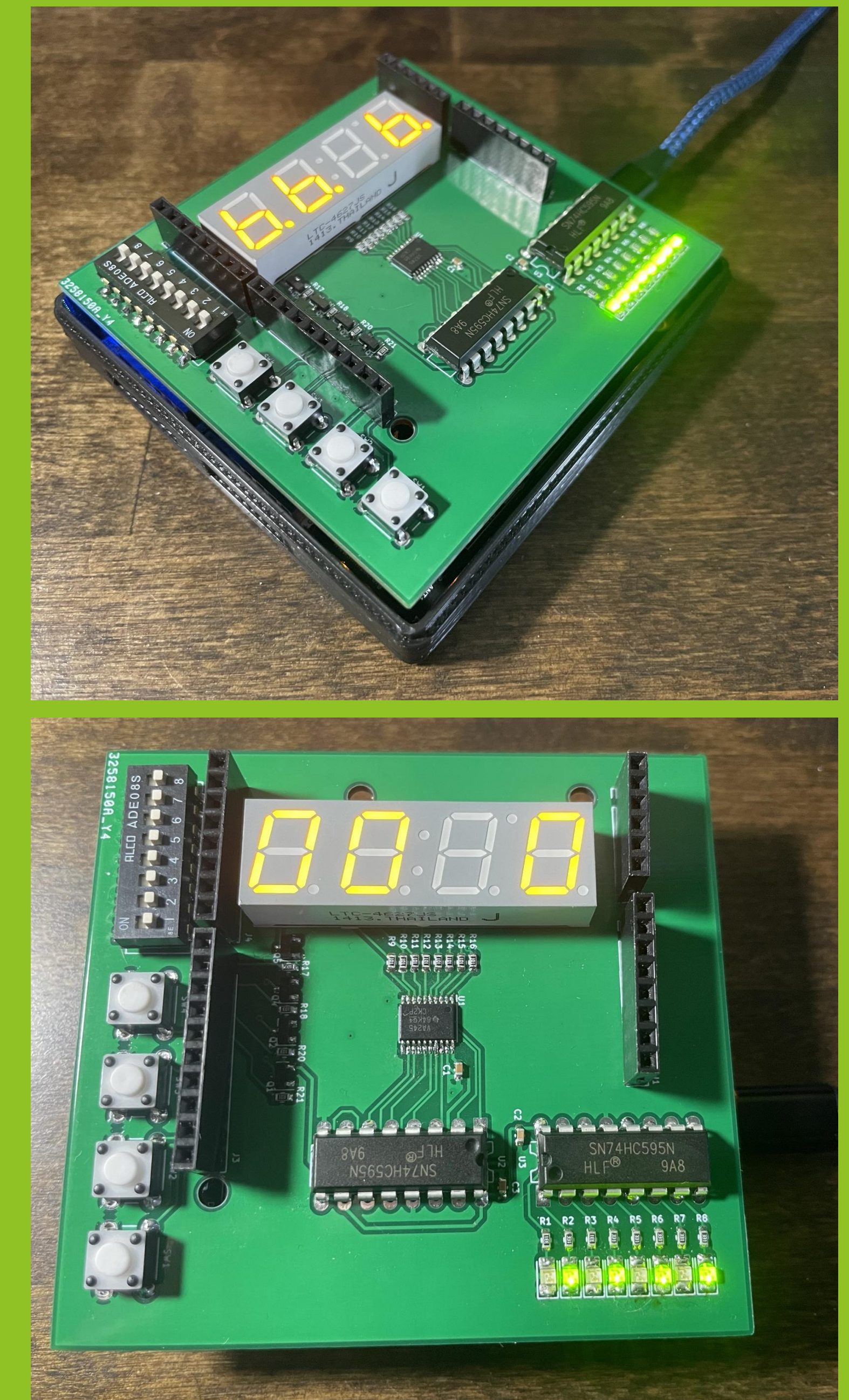
## Project Overview

The current pandemic of COVID-19 has brought challenges to doing in-person activities, such as lectures, and labs. Due to these challenges, students have trouble accessing expensive lab equipment. To help solve this problem, we have developed My Desk Bench. My Desk Bench is a daughter board with I/O functionality that has been designed to connect to the Avnet MiniZed FPGA that is used in the CompE 470 & 470L courses at SDSU. My Desk Bench's various switch, leds, and display allows the user to send input and receive output from the MiniZed FPGA much easier than before.

## System Block Diagram



## Final Design



## Team Members



Larissa Almendares  
Electrical Engineer



Armaan Kafaipour  
Computer Engineer



Muiz Kareem  
Electrical Engineer



Professor  
Ken Arnold  
ECE Department



Shoya Ito  
Electrical Engineer



Bashar Alali  
Electrical Engineer

## Main Components

