

DIGIMUSER

The Team



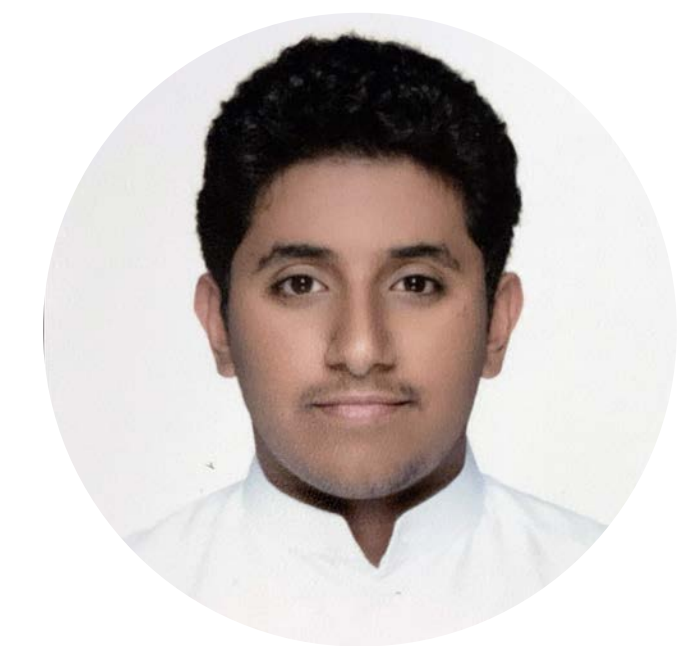
David Walker-Howell



Luke Kennard



Angel Martinez



Suaod Alhajry



Danielle Stewart

Project Overview

DIGIMUSER is a digital vocal effect processor “stompbox” that applies a variety of real-time signal processing algorithms to alter the voice of a singer. **DIGIMUSER** uses a microcontroller and user controls to digitally apply vocal effects such as filters, delays, distortions, and modulations. **DIGIMUSER** takes a standard dynamic microphone as input and outputs to an amplifier or additional audio processing devices. To put it simply, **DIGIMUSER** gives anyone an entire effects studio right in the palm of their hand.

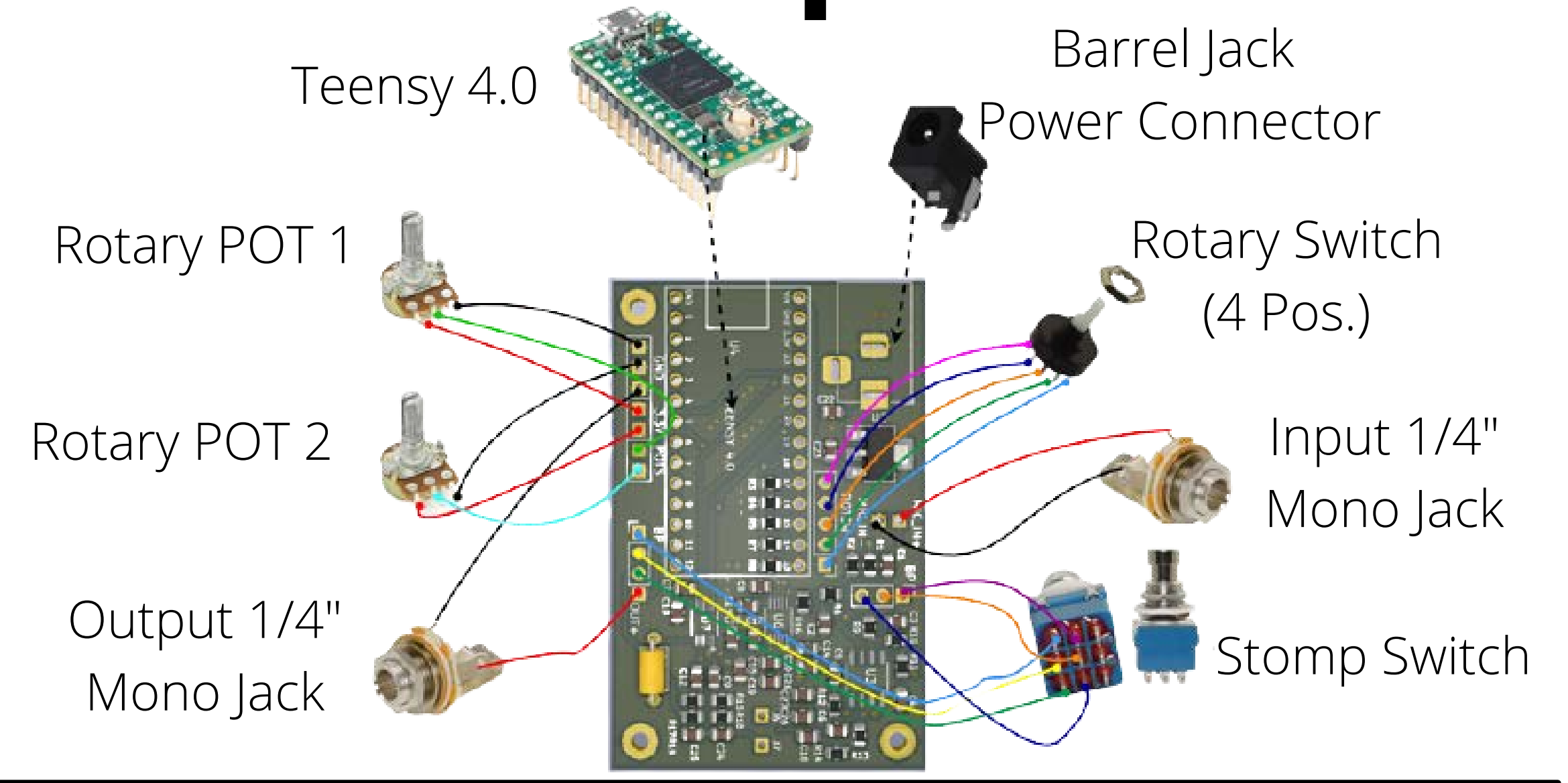
Check out our effects here:



Design Requirements

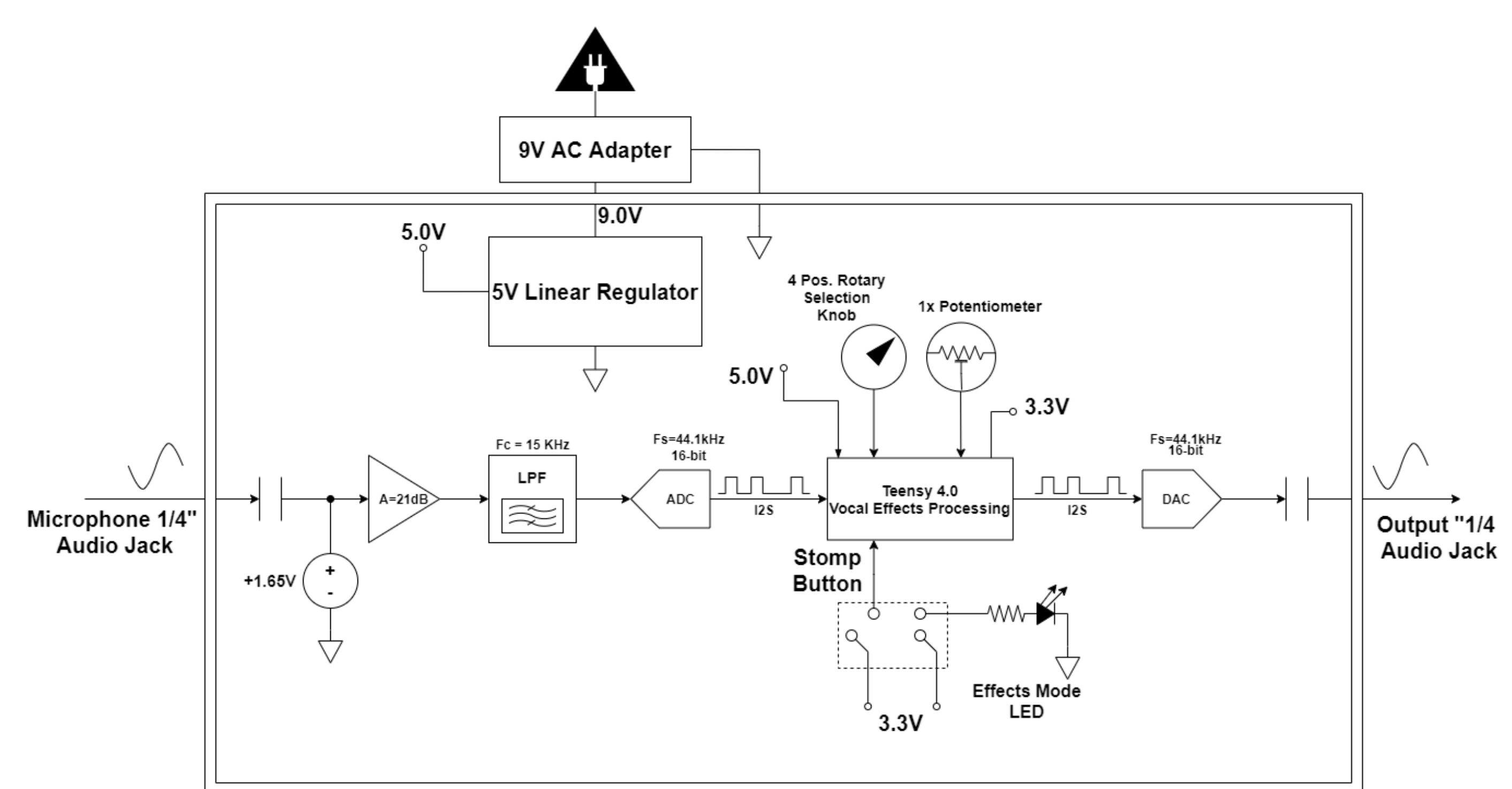
- 4 vocal effects
- Knob to increase and decrease intensity of effects
- Knob to change effects
- Switch to turn on and off the effects
- Device small in size
- AC power adapter

Main Components

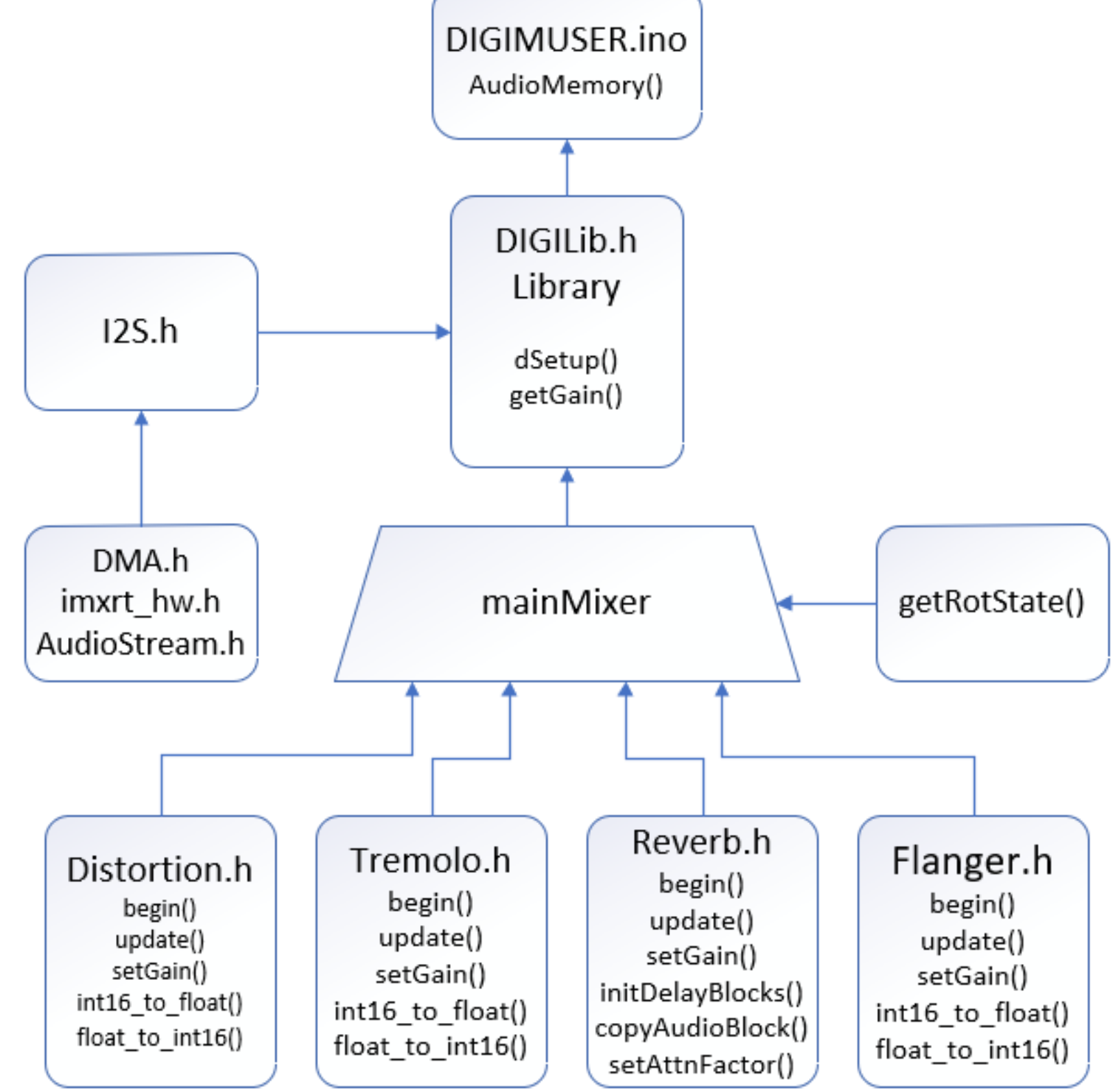


Systems Diagrams

Hardware Diagram



Software Diagram



Final Product



Device Dimensions

- 4.5" x 2.5" x 1.25"