

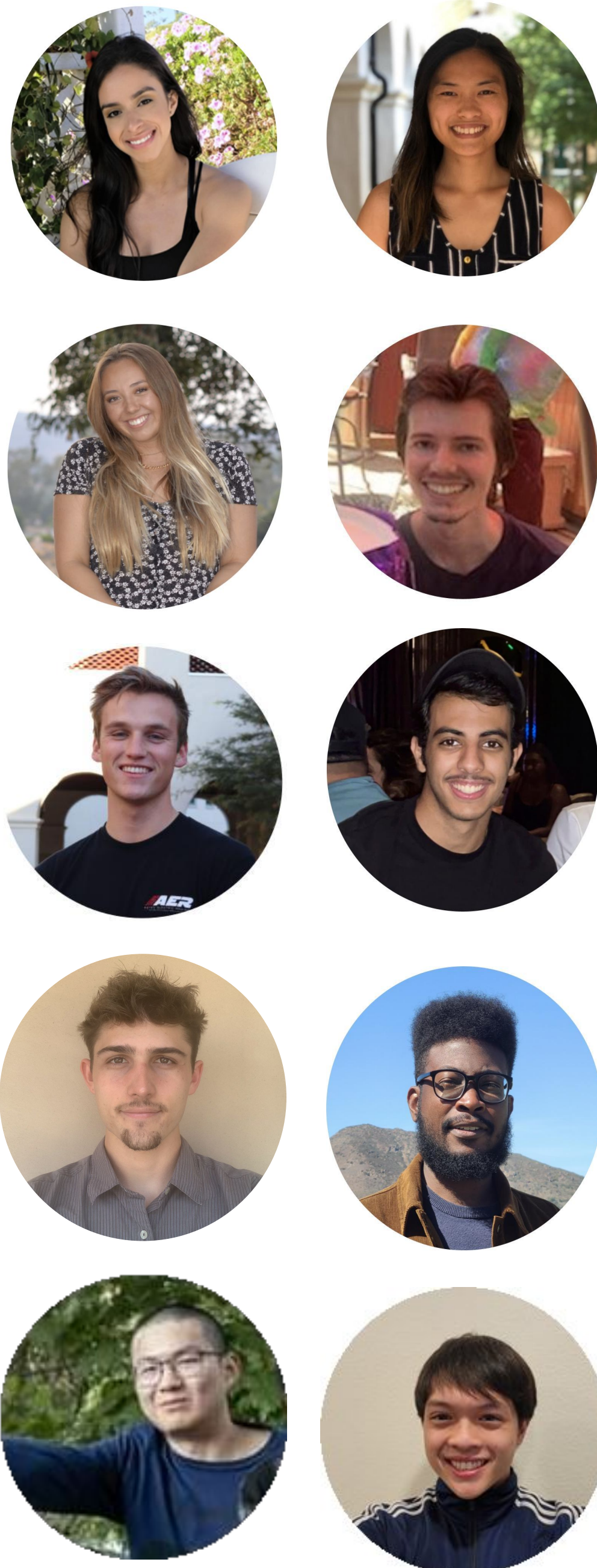
# Electrically Integrated Linear Mating Cycle Test System

Instructors: Dr. Scott Shaffar (ME), Prof. Barry Dorr (ECE), Michael Lester (Machine Shop)  
 Project 20, Team M08 - Akula Zub Technologies  
 Sponsor: Masimo Incorporated, Irvine, CA.

## Team Members

### ME

### ECE



**ME Team, top to bottom:**  
 Nereyda Lopez Resendiz,  
 Christine Maryfield, Jacob  
 Prittie, Thomas Floisand,  
 Han Tang

**ECE Team, top to bottom:**  
 Belinda Nguyen, Mark  
 Blair, Fahad Alsahli,  
 Andrew Jefferson, Jeff  
 Calimbahin

## Problem Statement

Design and construct a device to be used by Masimo Inc. that will be used to test and cycle electro-mechanical connectors of varying size and shape while monitoring for their insertion and removal force as well as electrical performance. The device will be able to take two inputs, a male and female connector, apply variable insertion and removal forces, and record data on how the connector performs. This data will be easily displayed and collected through an onboard user interface consisting of an LCD screen and manual keypad.

## Design Overview

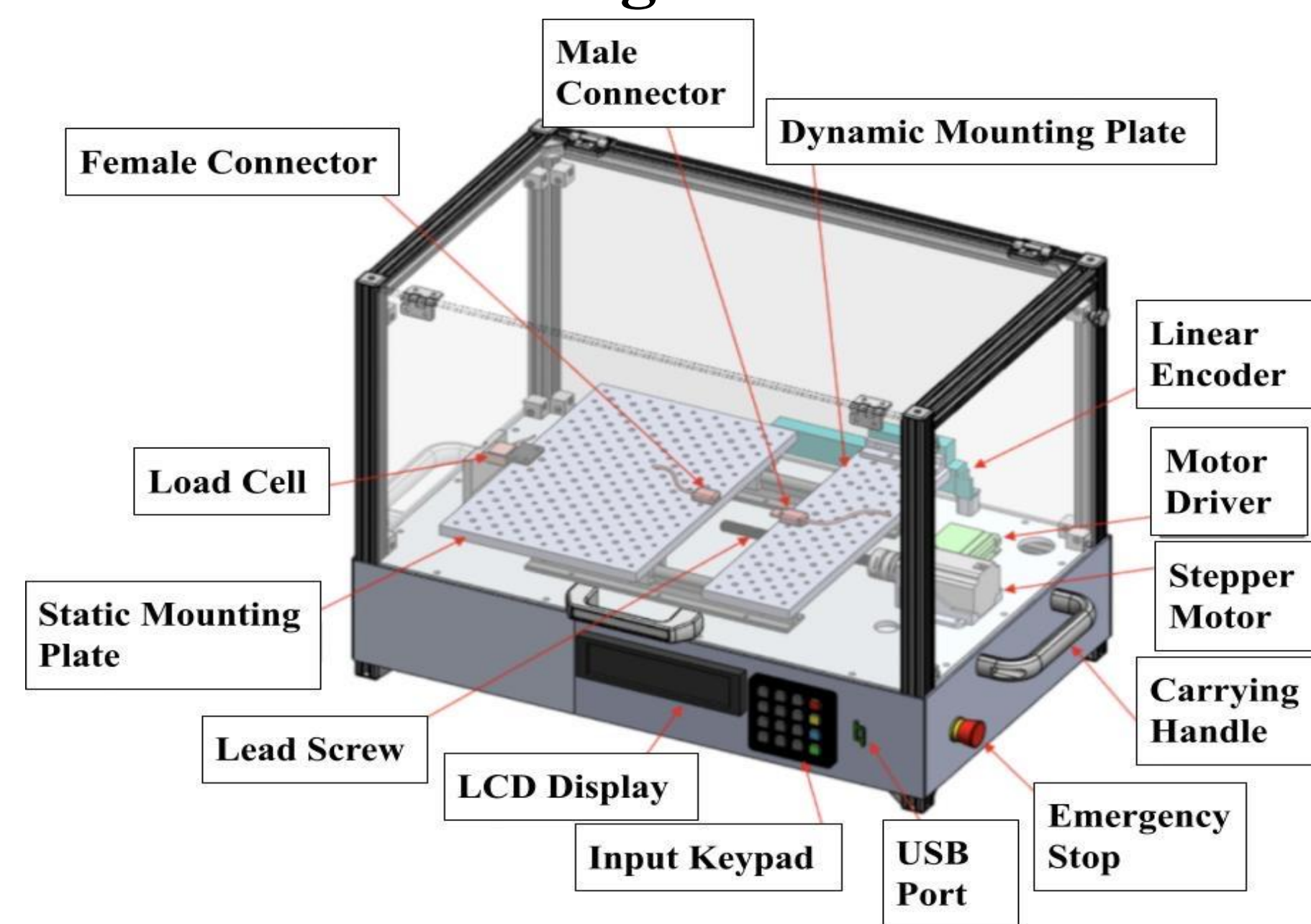


Fig. 1: Device CAD Assembly

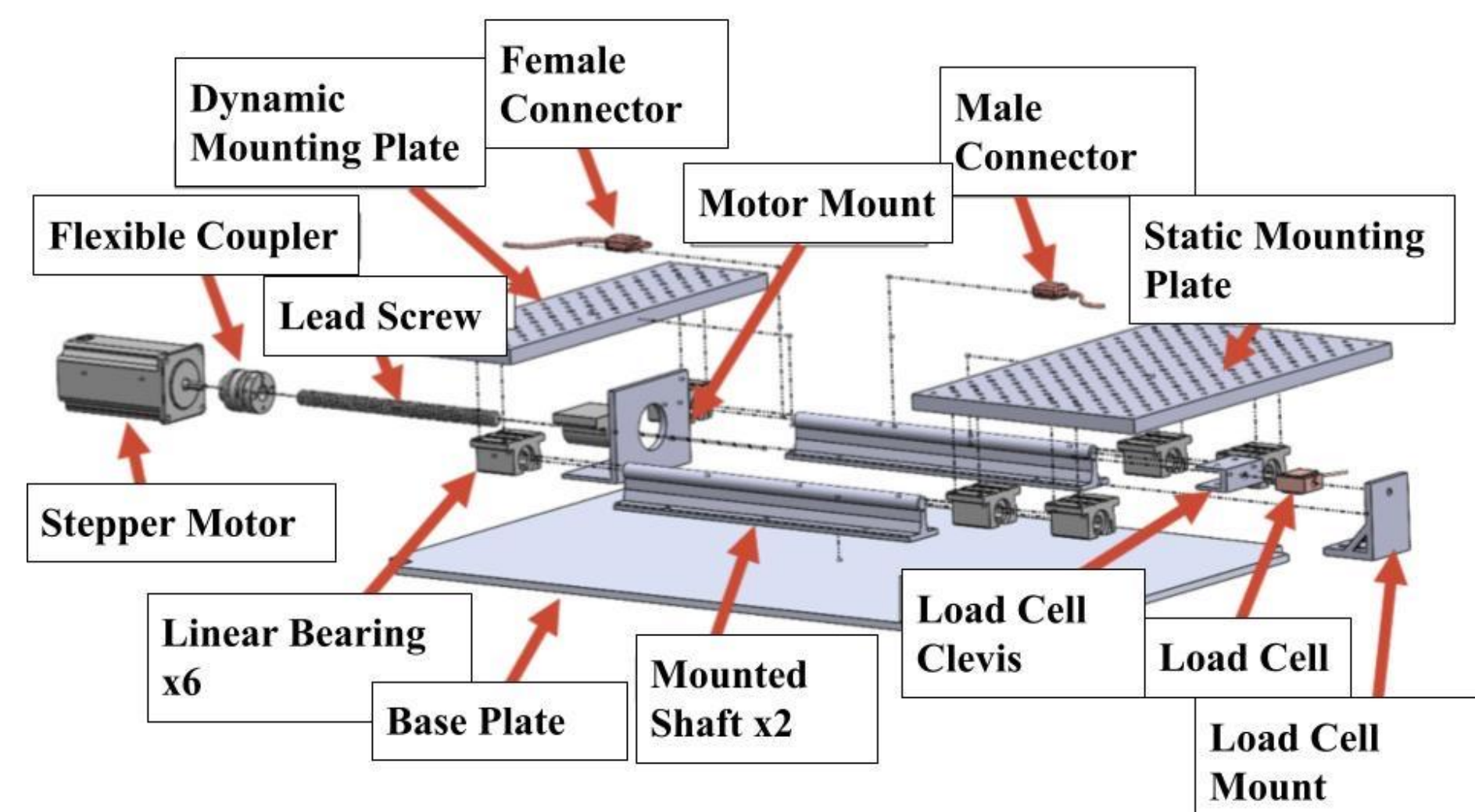


Fig. 2: Drivetrain CAD Assembly

## System Description

The device consists of several subsystems, each of which became the focus of a different group member. The system description diagram below breaks down the seven main subsystems of the machine, the controls, connector mounting, force and resistance measuring, drive train, power regulation, enclosure, and lid.

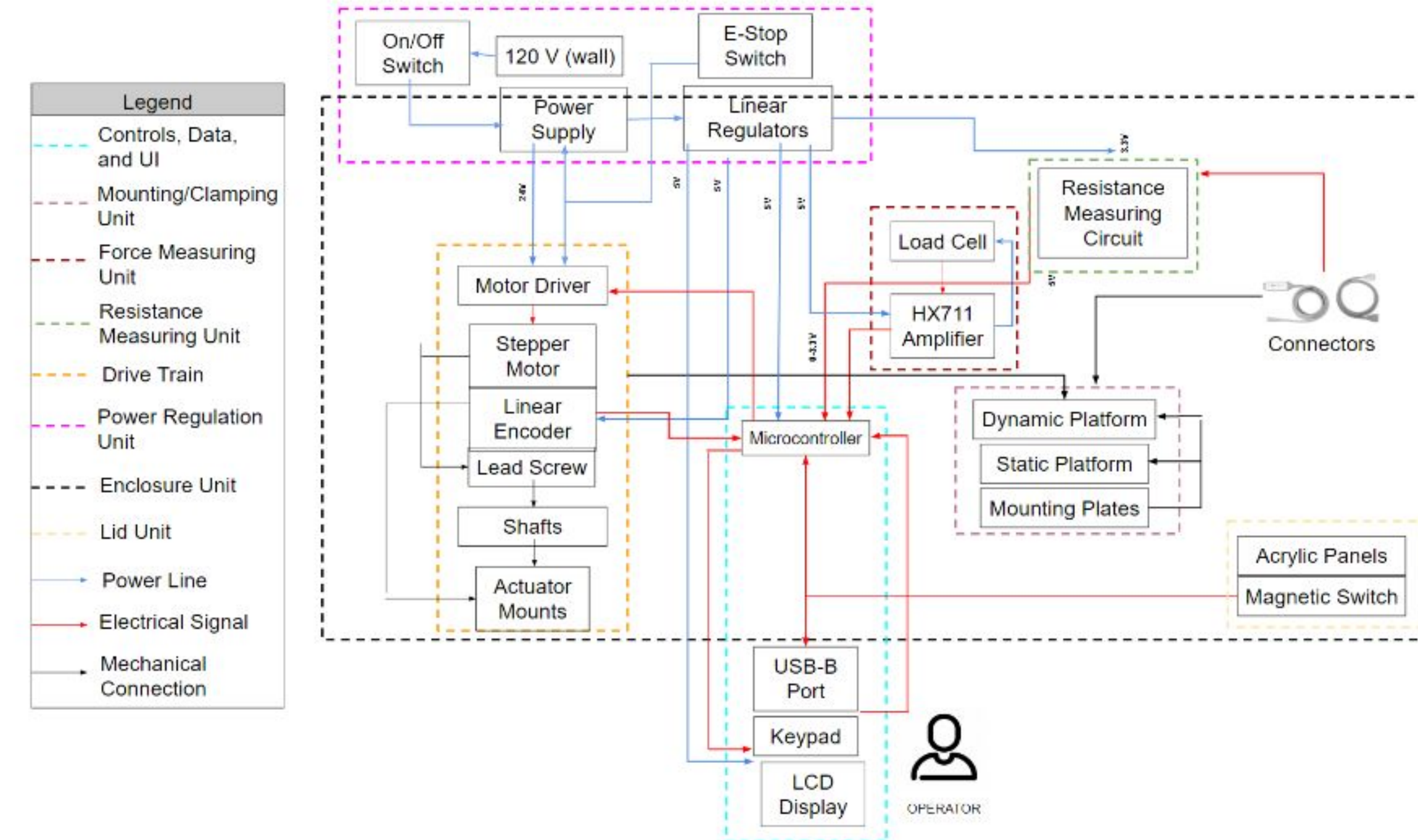


Fig. 3: System Description Diagram

## Manufacturing and Assembly



Fig. 4: Frame Assembly

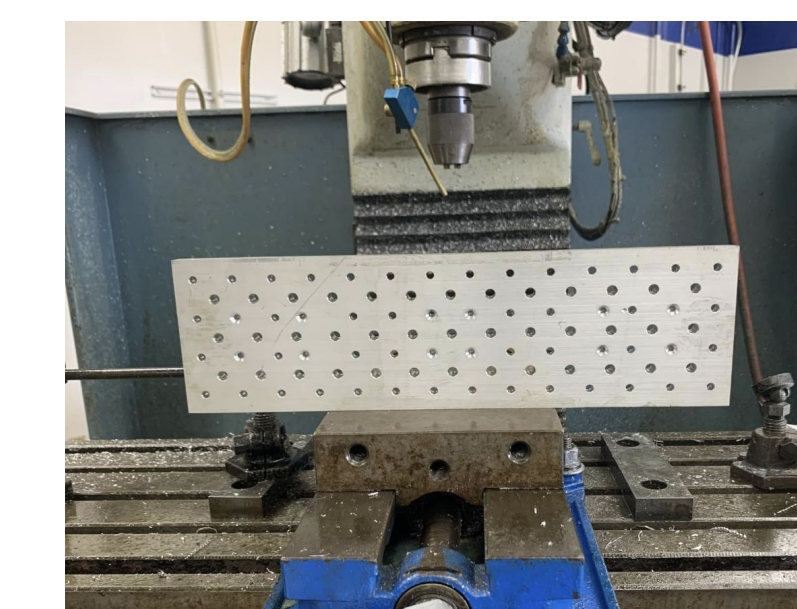


Fig. 5: Plate Manufacturing

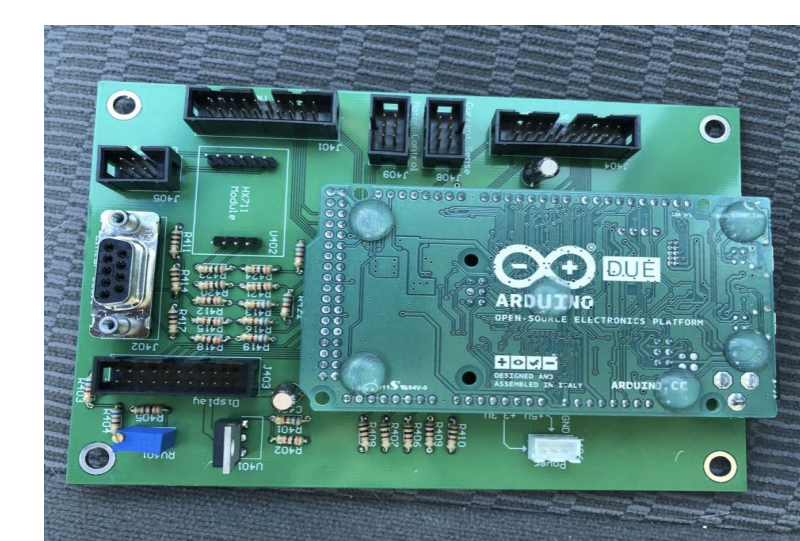


Fig. 6: Arduino Breadboard

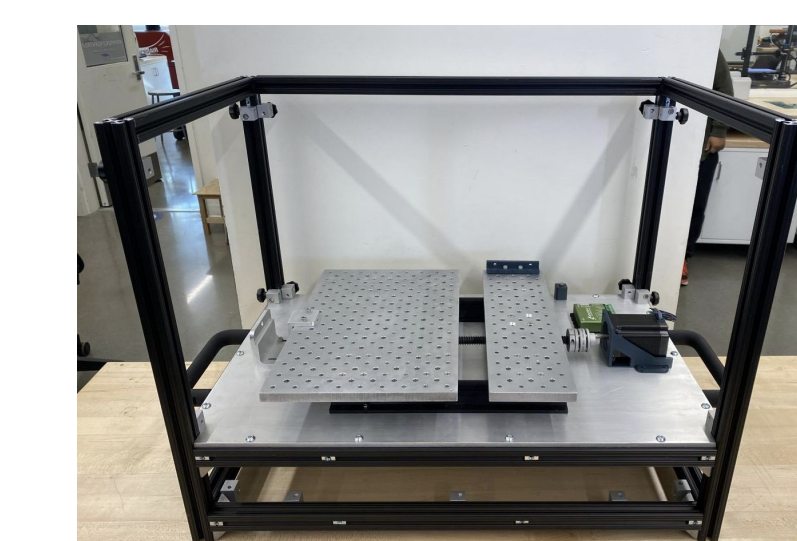


Fig. 7: Plate and Motor Assembly

## Testing

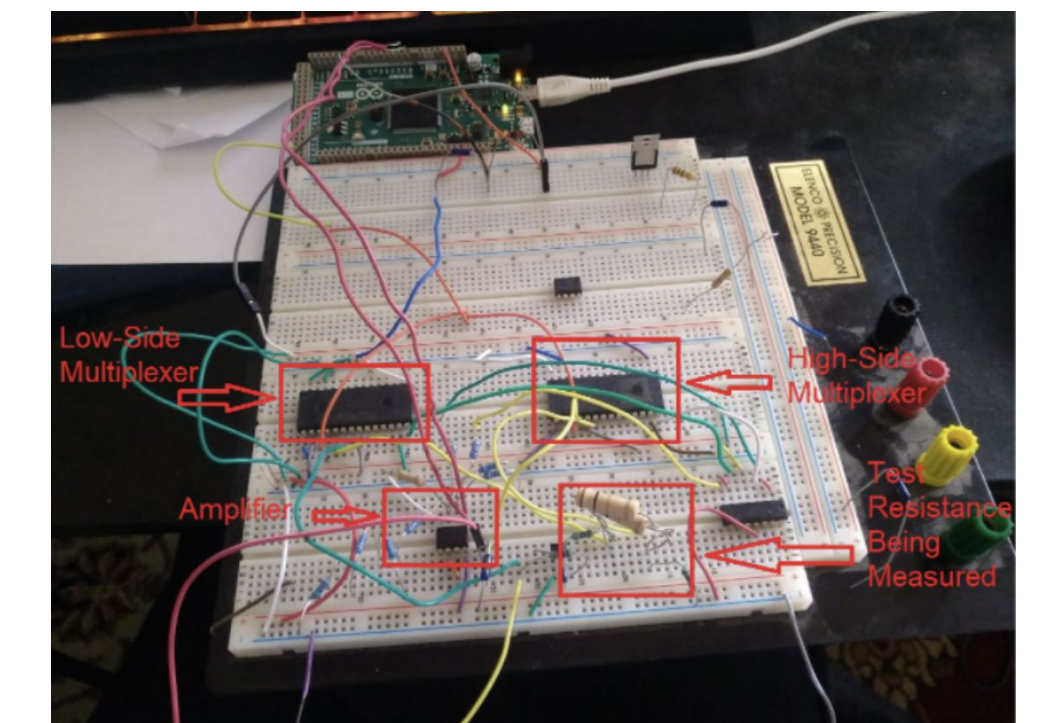


Fig. 8: Resistance Measuring Test

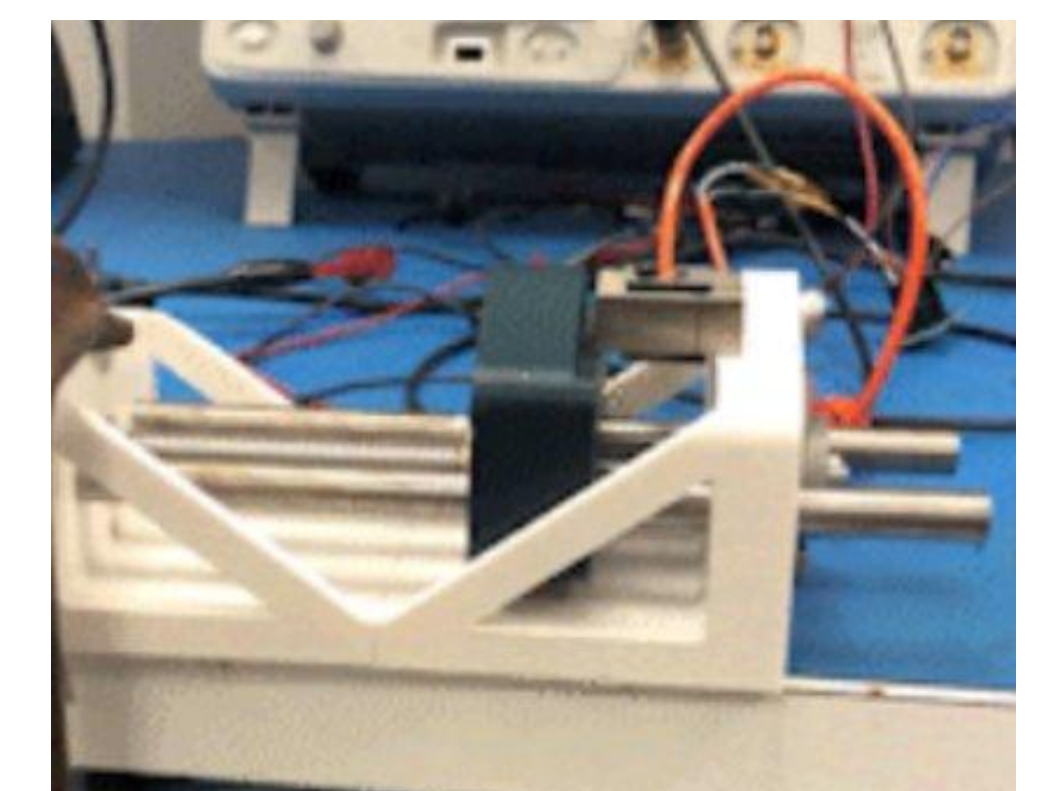


Fig. 9: Load Cell Test



Fig. 10: User Interface Test

## Acknowledgements

Team AZTech would like to thank Dr. Shaffar, Prof. Dorr, and the Masimo Team for providing us with this opportunity, and for their guidance and support. In addition, we would like to thank machining expert Mr. Lester and assistants Grant Labriola and Bruce Yam for providing manufacturing feedback and assistance.