

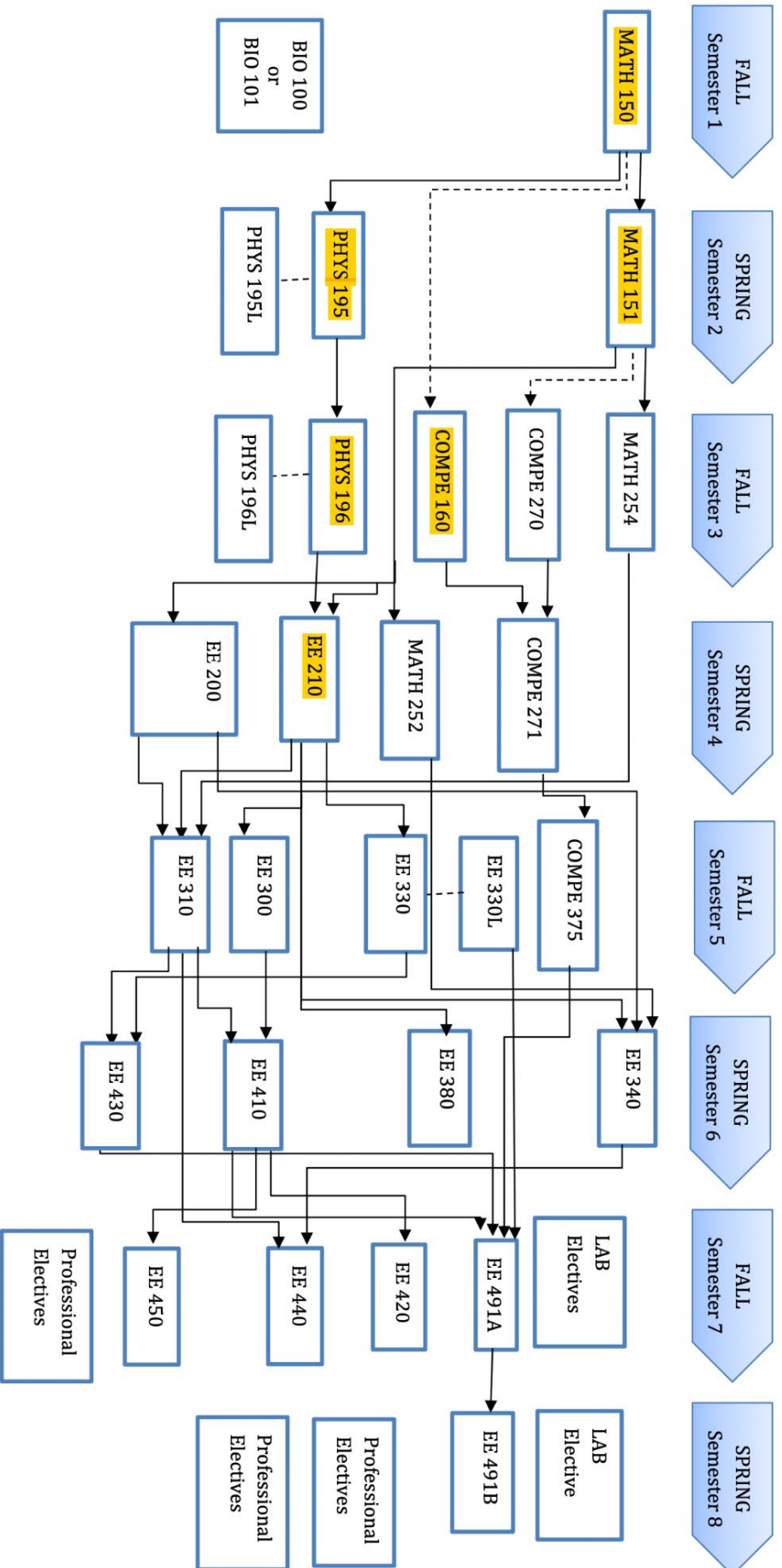


SDSU Courses		Transfer Courses		Advising Record							
Required Courses	Grade	Equivalent Course	School	Semesters at SDSU							
				F22	S23	F23	S24	F24	S25	F25	S26
EE 340 (3)											
EE 380 (3)											
EE 410 (3)											
EE 430 (3)											
EE 420 (3)											
EE 440 (3)											
EE 450 (3)											
EE 491 (2)											
Prof. Elective (3)											
Lab Elective (1)											
EE 492 (2)											
Prof. Elective (3)											
Prof. Elective (3)											
Lab Elective (1)											

This is not a legally binding document. Advisors will do their best to assist students with course planning. It is the student's responsibility to ensure that they are following prerequisite and graduation guidelines.

Advising Notes

## ELECTRICAL ENGINEERING CURRICULUM GUIDE



Catalog Year 2022-23

**Key:**

----Credit or Concurrent Enrollment

Prerequisite

^ Prerequisite for EE 310 is Math 252 or Math 254

**Note:**

- General Education requirements are not shown, see general catalog, degree evaluation or MyMap
- **Yellow highlight** = Impact Courses = must pass with C or better